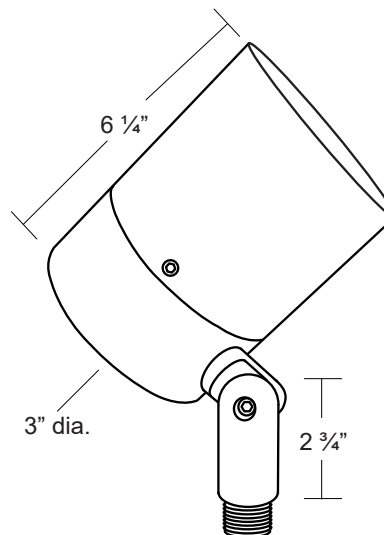


FLOOD/ACCENT LIGHT      120V MR16 50W 8W LED      MODEL AL-23

Specification-grade landscape lighting, wet-location luminaire for uplighting or downlighting applications. Can be utilized for ground mounted, tree mounted or surface mounted installations.

- Machined 6061-T6 copper-free aluminum. Aluminum components are black anodized, then a polyester powder coat finish is applied.
- Seven standard TGIC powder coat finishes and clear anodized finish available.
- Stainless steel hardware.
- Side mount knuckle design.
- 10" 18ga. Teflon coated wire leads.
- Flush lens cap holds 2 lens accessories.
- Mount not included.
- Clear tempered glass lens, glued in.
- High-temperature silicone O-ring seal used to seal the cap against the body.
- Listed for wet location use.
- Warranty: 10 Years.



### Specifications

MODEL:	AL - 23	LAMPING:	MR16 Halogen, 50W Maximum (order separately) 8W LED (order separately)
MATERIAL:	6061-T6 Aluminum		
VOLTAGE:	120V		
WATTAGE:	50 Watt		
SOCKET:	GU 10 porcelain socket rated 600V, 250°C 18 ga, Teflon® coated leads.		

### Ordering Logic:

MODEL	METAL	FINISH	
AL - 23	A - Aluminum	BK - Black BZ - Bronze WT - White BG - Beige	BKT - Black Texture BZT - Bronze Texture SL - Silver AC - Aged Copper

ORDERING EXAMPLE: AL - 23 - A - BK

Excelsior Lighting, Inc.

PROJECT:

TYPE: