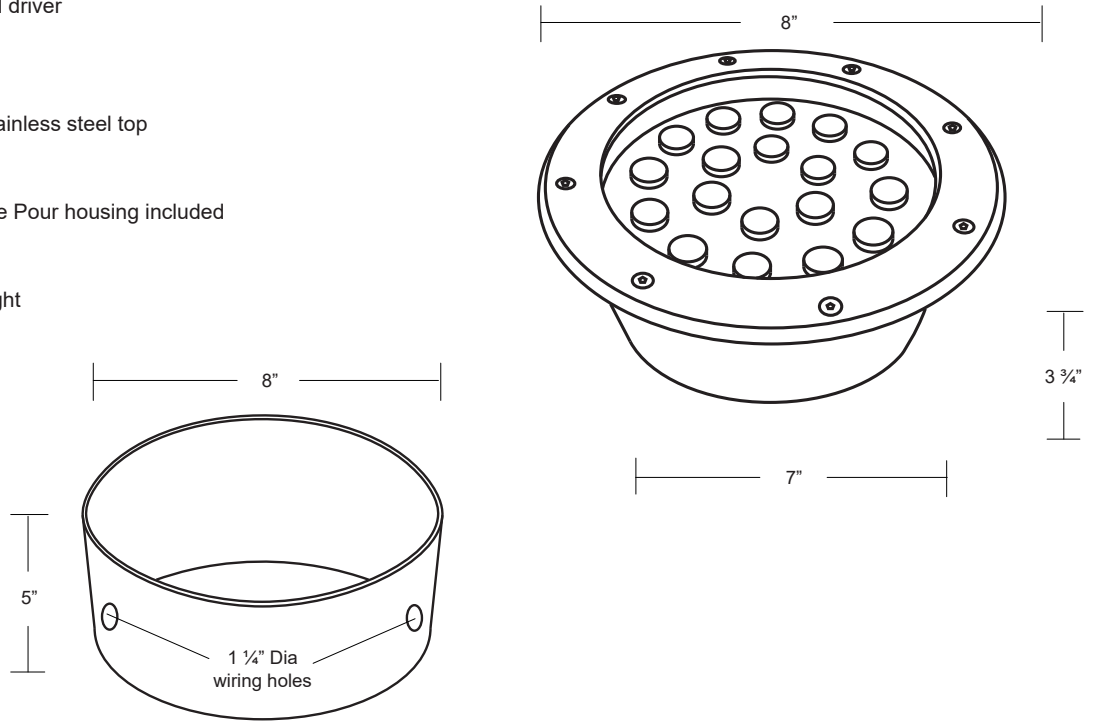


Specification-grade direct burial landscape lighting, wet-location luminaire for up lighting applications.

- 9 Watts
- 1,080 Lumens
- 85-265 VAC, Internal Meanwell driver
- 9 x 1 Watt Bridgelux LED
- 15°, 30°, 45°, 60° beams
- 2700K, 3000K or 4000K
- Die-cast aluminum housing, stainless steel top
- Stainless steel hardware
- Tempered clear glass lens
- Mounting: In Ground / Concrete Pour housing included
- Wet location IP67
- UL Certification
- Dimensions: 8" dia. x 3 3/4" height
- Warranty: 5 Years.



Housing Included



Specifications:

MODEL:	IN - 50L-9	LAMPING:	9 x 1 Watt Bridgelux LED
MATERIAL:	Die-cast aluminum housing, Stainless Steel Top		
VOLTAGE:	85-265 VAC		
WATTAGE:	9 Watts		

Ordering Logic:

MODEL	WATTAGE	KELVIN	BEAM
IN - 50L	9 - 9 Watts	27 - 2700K	15 - 15°
		30 - 3000K	30 - 30°
		40 - 4000K	45 - 45°
			60 - 60°

ORDERING EXAMPLE: IN - 50L - 9 - 27 - 15

Excelsior Lighting, Inc.

PROJECT

TYPE