

Model	PL-40L
Lamp:	C.O.B LED Modules
Wattages:	8, 16 or 31 watt
Input Voltage:	120V-277V driver included
Material:	Machined Aluminum
Hardware:	Stainless Steel
Finishes:	Seven Polyester Powder Coat
Knuckle:	Tapered & Positive Locking
Lens:	Tempered Clear Glass
Optics:	Three interchangeable reflector optics included
Cap:	Three cap styles available
Riser Height:	12", 18" 24", 30", 36" and 42"
Mounting:	1/2" NPS, ground mount included
IP Rating:	66
Certification:	Wet location
Wiring:	10" 18 ga Teflon Coated
Weight:	3.5 lbs.
Warranty:	10 Years (fixture)
Dimensions:	3 1/2" dia. x 8" overall (fixture)



Shown in Bronze Powder Coat Finish (BZ)



**METALS:**

6061-T6 Aluminum



**MOUNTING:**



MT-48 Ground Stake

**ORDERING LOGIC:**

Model:	PL - 40L	
Cap Style:	1 - 90° Flush 3 - 30° Angle	2 - 90° Regress
Stem Length:	12 - 12" 18 - 18" 24 - 24"	30 - 30" 36 - 36" 42 - 42"
Mount:	MT-48 - Ground Stake MT-49 - Surface Mount MT-53 - Inground Mount	
Finish:	BK - Black BZ - Bronze WT - White BG - Beige	BKT - Black Texture BZT - Bronze Texture SL - Silver AC - Aged Copper



**ANODIZING PROTECTION:**

To increase the corrosion resistance in our products, we use a three-step process:

1. Machine 6061-T6 copper-free aluminum.
2. Anodized pre-treatment applied.
3. Polyester powder coat finish applied.

**ORDERING EXAMPLE:** PL - 40L - 1 - 12 - MT48 - BK - 643\*

\*See specification sheet to select module type to be installed.

**Xicato XTM LED Modules with Corrected Cold Phosphor Technology**

- Flux packages from 700lm to 2000lm.
- CCT range from 2700K to 4000K.
- Integrated DC driver electronics.
- Efficacy up to 99 lm/W.
- Very tight color consistency, within 1x2 MacAdam ellipses initially and 3 MacAdam ellipses after 50,000 hours.
- A verifiable 50,000 hour/7 year operational warranty.
- Warranty: 5 Years



**XTM SERIES**



19MM

**C.O.B LED MODULE OPTIONS**

	XTM MODULE	COLOR
700 LUMENS	640	2700K
	641	3000K
	642	3500K
	643	4000K
1300 LUMENS	644	2700K
	645	3000K
	646	3500K
	647	4000K
2000 LUMENS	648	2700K
	649	3000K
	650	3500K
	651	4000K



42° Flood



60° Wide Flood



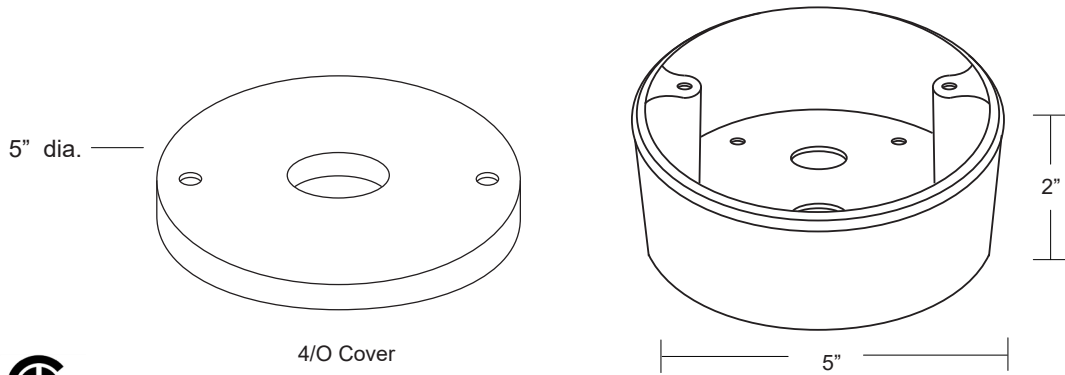
20° Spot

**INTERCHANGEABLE OPTICS**



Machined powered surface mount with cover. Designed for mounting a single luminaire for surface mount installation with LED driver.

- Machined aluminum construction.
- 120-277 VAC driver
- Dimmable driver included for use with standard incandescent dimmers. 10-100% range: 8W, 16W or 31W (specify)
- Seven standard TGIC powder coat finishes and clear anodized finish available.
- Two 7/8" slip holes. Accepts industry standard conduit connectors.
- Fits onto 4/0 standard J-Box.
- UL listed for wet location use.
- Warranty: Mounting - 10 years  
Driver - 5 years



### Specifications

MODEL: MT-49

VOLTAGE: 120-277 VAC Input

MATERIAL: Machined Aluminum

MOUNTING: #10 screw mount holes (4X)

### Ordering Logic:

MODEL	METAL	DIMMABLE DRIVER	FINISH	
MT - 49	A - Aluminum	8 - 8W 16 - 16W 31 - 31W	BK- Black BZ - Bronze WT - White BG - Beige	BKT - Black Texture BZT- Bronze Texture SL - Silver AC - Aged Copper

ORDERING EXAMPLE: MT - 49 - A - 8 - BK

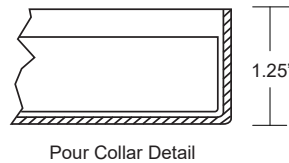
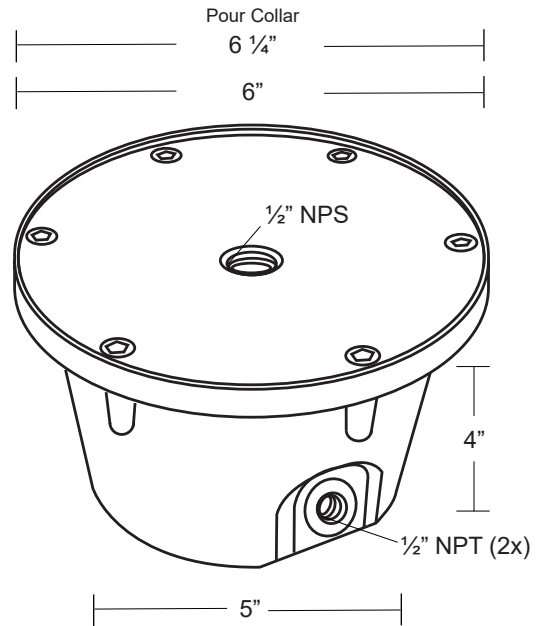
Excelsior Lighting, Inc.

PROJECT

TYPE

Cast bronze powered inground mount with cover. Designed for mounting a single luminaire for inground mount installation with LED driver.

- Cast bronze housing and aluminum cover.
- 120 - 277 VAC driver.
- 8W-31W option.
- Dimmable driver for use with standard incandescent dimmers.  
10-100% range: 8W, 16W, or 31W (specify)
- Seven standard TGIC powder coat finish available.
- 1/2" NPS threads accepts industry standard luminaires.
- 1/2" NPT threads conduit connections (2x).
- Listed for wet location use.
- Warranty: Mounting - 10 Years.  
Driver - 5 years



Specifications

MODEL:	MT-53	VOLTAGE:	120-277 VAC Input
MATERIAL:	Cast bronze housing and aluminum cover	WATTAGE:	8W, 16W, 31W

Ordering Logic:

MODEL	METAL	OPTION	DIMMABLE LED DRIVER	FINISH (COVER)
MT - 53	B - Cast Bronze	0 - None PC - Pour Collar	0 - None 8 - 8W 16 - 16W 31 - 31W	BK- Black    BKT - Black Texture BZ - Bronze    BZT- Bronze Texture WT - White    SL - Silver BG - Beige    AC - Aged Copper

ORDERING EXAMPLE: MT - 53 - B - PC - 8 - BK

Excelsior Lighting, Inc.

PROJECT

TYPE

## 8 WATT/16 WATT DRIVER

- 120-277VAC Input
- Output 14 - 24 VDC
- Dims with TRIAC and ELV dimmers at 120VAC only
- Dims with industry standard 0-10V dimmers (108-305VAC)
- Max Output Power: 10W to 50W
- 2 case sizes, 10-30W and 40-50W
- Efficiency up to 84%
- 90°C Top case rated
- <20% THD, >0.9 PF
- Fast start up time
- UL 8750 Approved, UL LED Class 2 outputs
- Class II isolation
- Long Life
- RoHS Compliant



### APPLICATIONS AND BENEFITS

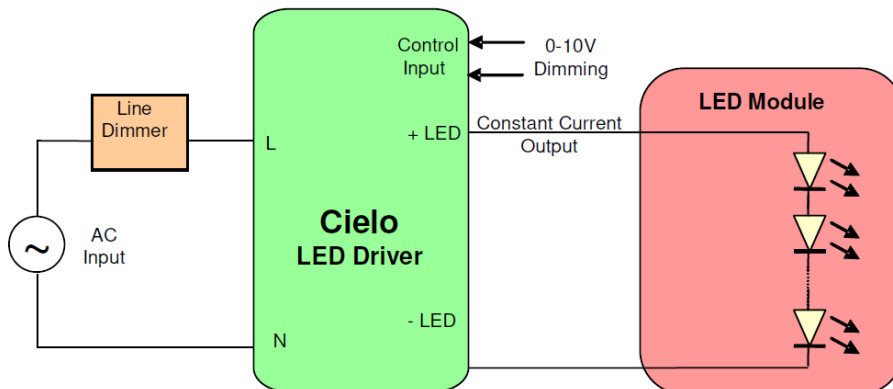
Cielo LED drivers are designed for powering LED luminaries using standard lighting controls.

Their discreet size easily fits into the space constrained LED fixtures of today's growing Commercial, Residential and Architectural lighting markets.

The modules operate with:

- Standard Light Switches
- 0-10V Dimmers
- Triac based Incandescent Dimmers (Forward phase – leading edge)
- Electronic Low Voltage Dimmers (Reverse Phase – trailing edge)

The following diagram depicts a typical installation utilizing the Cielo:



### Cielo's Dimming Options:

- Analog Dimming (0-10V) input provides 10-100% I<sub>out</sub> Dimming
- AC line dimming from Triac or ELV dimmers (120VAC)
- Dimming range down to less than 10% nominal output current

## 31 WATT DRIVER

- Wide input voltage range: 120 – 277 VAC
- Constant current output
- Output 20 - 43 VDC
- IEEE 1789 Compliant (tested from 50% to 100% I<sub>max</sub>)
- Low dimming level (down to 1 % of max current)
- IP 64 package
- Low standby power consumption (<0.5 W)
- High efficiency (up to 88 %)
- Easily programmable via RFID (wireless) or wired tools
- Programmable output current settings
- Dimmable with 1-10V / 0-10V dimmers. Dim to OFF (DTO)
- Temperature sensor input (NTC) to protect the LED light engine
- Intended for convection cooling operation
- UL Class 2 output, reinforced / double isolation
- Wide operating temperature range -30 C up to 90 °C T<sub>c</sub>
- 8-year warranty under useful life condition

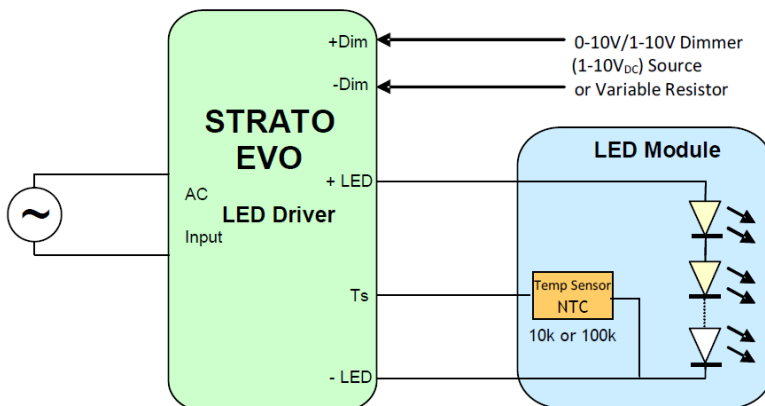


### APPLICATIONS AND BENEFITS

STRATO EVO 40W is designed for directly powering LEDs in commercial and industrial lighting applications. The product's extremely small form factor and high efficiency makes it suitable for integration into most light fixtures and standard electrical junction boxes.

A host of integrated control features:

- Simplify Light Fixture Design
- Ease Safety Approval Cycles
- Lower Fixture Complexity and Cost



### STRATO EVO's versatile control features:

- A Temperature sensor (NTC thermistor) protects the LED from over-temperature. The NTC can be either a 10 kΩ or 100 kΩ
- A 2 wire Dimming input provides both output trimming, and 1 to 100 % I<sub>OUT</sub> Dimming function.