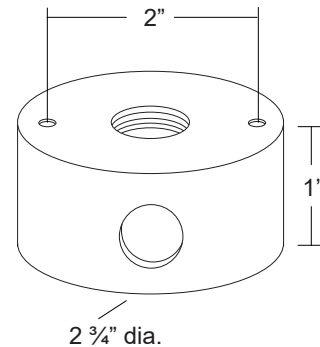


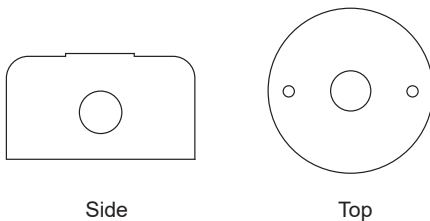
Heavy-duty tree mounting canopy with wiring hole. Can be utilized for tree or surface mount installations.

- Machined aluminum construction.
- Seven standard TGIC powder coat finishes and clear anodized finish available.
- Mounting hardware not supplied
- 5/8" wiring hole.
- Two 3/16" mounting holes.
- 1/2" NPS mount thread accept industry standard luminaires.
- CSA listed for wet location landscape use (UL1838).
- Warranty: 10 Years.



Specifications

MODEL: MT-12  
 MATERIAL: 6061-T6 Aluminum  
 MOUNTING: 1/2" NPS threaded canopy  
 WIRING HOLE: 5/8" diameter



Ordering Logic:

MODEL	METAL	FINISH	
MT - 12	A - Aluminum	BK- Black BZ - Bronze WT - White BG - Beige	BKT - Black Texture BZT- Bronze Texture SL - Silver AC - Aged Copper

ORDERING EXAMPLE: MT - 12 - A - BK

Excelsior Lighting, Inc.

PROJECT

TYPE