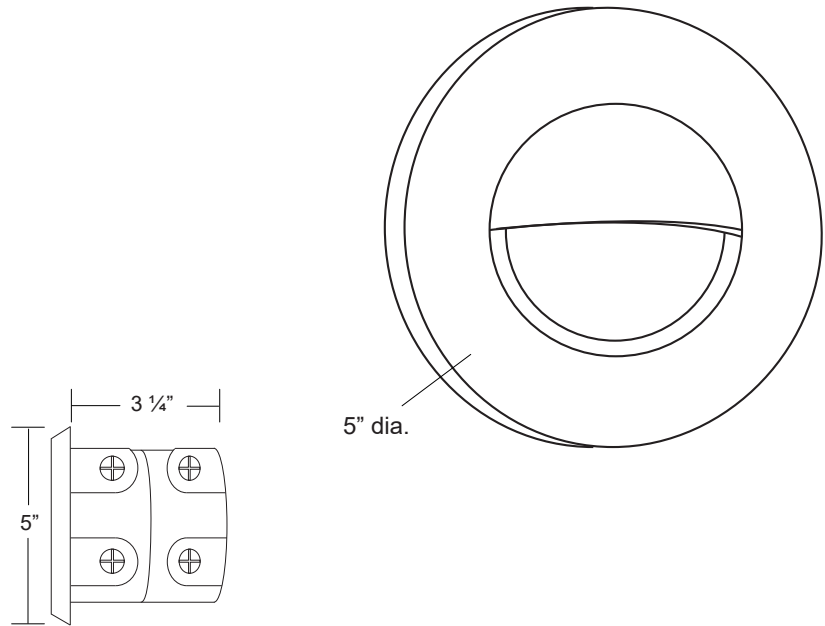


Specification-grade landscape lighting, wet-location luminaire for step lighting or path lighting applications.

- Machined aluminum, available in seven standard TGIC powder coat finishes and clear anodized finish.
- Machined brass available in two finishes.
- Remote transformer required.
- Stainless steel hardware.
- GY 6.35 bi pin socket
- Tempered clear lens.
- Two styles: 1/2 or 3/4 eyelid.
- 4/0 Double-deep junction box.
- Fully gasketed and sealed.
- Listed for wet location use.
- Warranty: Aluminum 10 Years, Brass 25 Years.



Specifications

MODEL:	ST-12	LAMPING:	MR16 Halogen, 20W Maximum (order separately) 8W LED (order separately)
MATERIAL:	Aluminum or Brass		
VOLTAGE:	12V		
WATTAGE:	20 Watt		
SOCKET:	GY 6.35 Bi-pin porcelain socket rated 600V, 250°C 18 ga, Teflon® coated leads.		

Ordering Logic:

MODEL	METAL	STYLES	FINISH	
ST - 12	A - Aluminum B - Brass	1 - 1/2 Eyelid 2 - 3/4 Eyelid	BK - Black BZ - Bronze WT - White BG - Beige NT - Natural	BKT - Black Texture BZT - Bronze Texture SL - Silver AC - Aged Copper DB - Dark Brass

ORDERING EXAMPLE: ST - 12 - A - 1 - BK

Excelsior Lighting, Inc.

PROJECT

TYPE