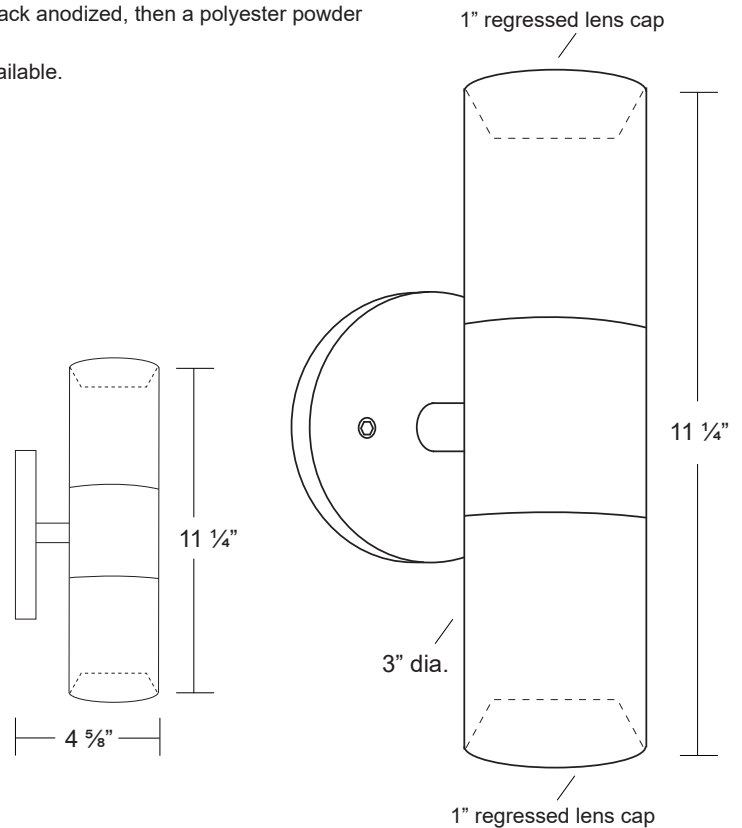
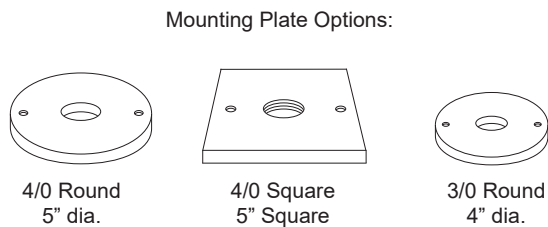


Specification-grade wet-location luminaire for wall mount applications.

- Machined 6061-T6 copper-free aluminum. Aluminum components are black anodized, then a polyester powder coat finish is applied.
- Seven standard TGIC powder coat finishes and clear anodized finish available.
- Stainless steel hardware.
- Junction box mount design.
- 10" 18ga. Teflon coated wire leads.
- Regressed lens holds 2 lens accessories.
- Three mounting plate options.
- Clear tempered glass lens, glued in.
- High-temperature silicone O-ring seal used to seal the cap against the body.
- Listed for wet location use.
- Warranty: 10 Years.



Specifications

MODEL: WA - 39  
 MATERIAL: 6061-T6 Aluminum  
 VOLTAGE: 120V  
 WATTAGE: 50 Watt (X2)  
 SOCKET: GU 10 porcelain socket rated 600V, 250°C  
 18 ga, Teflon® coated leads.

LAMPING: MR16 Halogen,  
 50W Maximum (X2)(order separately)  
 8W LED (X2)(order separately)

Ordering Logic:

| MODEL   | METAL        | MOUNTING PLATE                 |                | FINISH  |  |
|---------|--------------|--------------------------------|----------------|---|--|
| WA - 39 | A - Aluminum | 1 - 4/0 Round<br>3 - 3/0 Round | 2 - 4/0 Square | BK - Black<br>BZ - Bronze<br>WT - White<br>BG - Beige | BKT - Black Texture<br>BZT - Bronze Texture<br>SL - Silver<br>AC - Aged Copper |

ORDERING EXAMPLE: WA - 39 - A - 1 - BK

Excelsior Lighting, Inc.

PROJECT:

TYPE: