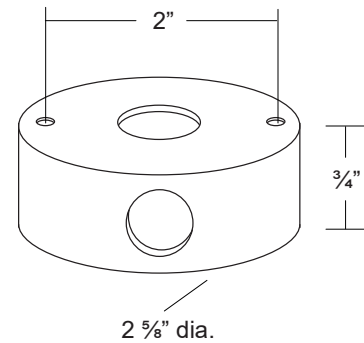


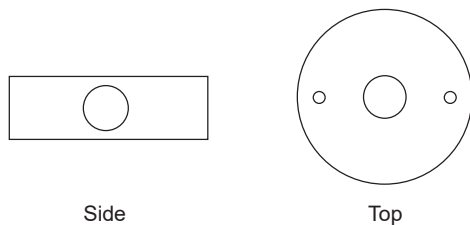
Light-duty tree mounting canopy with wiring hole. Can be utilized for tree or surface mount installations.

- Machined aluminum construction.
- Seven standard TGIC powder coat finishes and clear anodized finish available.
- Mounting hardware not supplied
- 7/8" slip mount hole.
- 5/8" wiring hole.
- Two 3/16" screw mounting holes.
- CSA listed for wet location landscape use (UL1838).
- Warranty: 10 Years.



Specifications

MODEL: MT-13
 MATERIAL: 6061-T6 Aluminum
 MOUNTING: 7/8" Slip hole
 WIRING HOLE: 5/8" diameter



Ordering Logic:

MODEL	METAL	FINISH	
MT - 13	A - Aluminum	BK - Black BZ - Bronze WT - White BG - Beige	BKT - Black Texture BZT - Bronze Texture SL - Silver AC - Aged Copper

ORDERING EXAMPLE: MT - 13 - A - BK

Excelsior Lighting, Inc.

PROJECT

TYPE