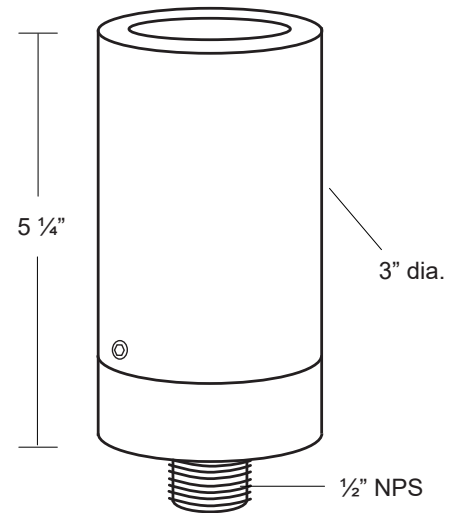


Specification-grade landscape lighting, wet-location luminaire for up lighting or down lighting applications. Can be utilized for ground mounted, tree mounted or surface mounted installations.

- Machined 6061-T6 copper-free aluminum. Aluminum components are black anodized, then a polyester powder coat finish is applied.
- Seven standard TGIC powder coat finishes and clear anodized finish available.
- Stainless steel hardware.
- 10" 18ga. Teflon coated wire leads.
- Medium base ceramic socket.
- Flush lens cap holds 2 lens accessories.
- 1/2" NPS Mount Threads (Mount not included).
- Tempered clear glass lens.
- High-temperature silicone O-ring seal used to seal the cap against the body.
- Listed for wet location use.
- Warranty: 10 Years.



### Specifications

|           |  |          |  |
|-----------|--|----------|--|
| MODEL:    | UL-28  | LAMPING: | PAR20 Halogen,<br>50W Maximum (order separately)<br>11W LED (order separately) |
| MATERIAL: | 6061-T6 Aluminum   |          |  |
| VOLTAGE:  | 120VAC   |          |  |
| WATTAGE:  | 50 Watt  |          |  |
| SOCKET:   | Medium base ceramic socket rated 600V,<br>250°C 18 ga, Teflon® coated leads. |          |  |

### Ordering Logic:

| MODEL   | METAL        | FINISH  |  |
|---------|--------------|---|--|
| UL - 28 | A - Aluminum | BK - Black<br>BZ - Bronze<br>WT - White<br>BG - Beige | BKT - Black Texture<br>BZT - Bronze Texture<br>SL - Silver<br>AC - Aged Copper |

ORDERING EXAMPLE: UL - 28 - A - BK

Excelsior Lighting, Inc.

PROJECT

TYPE