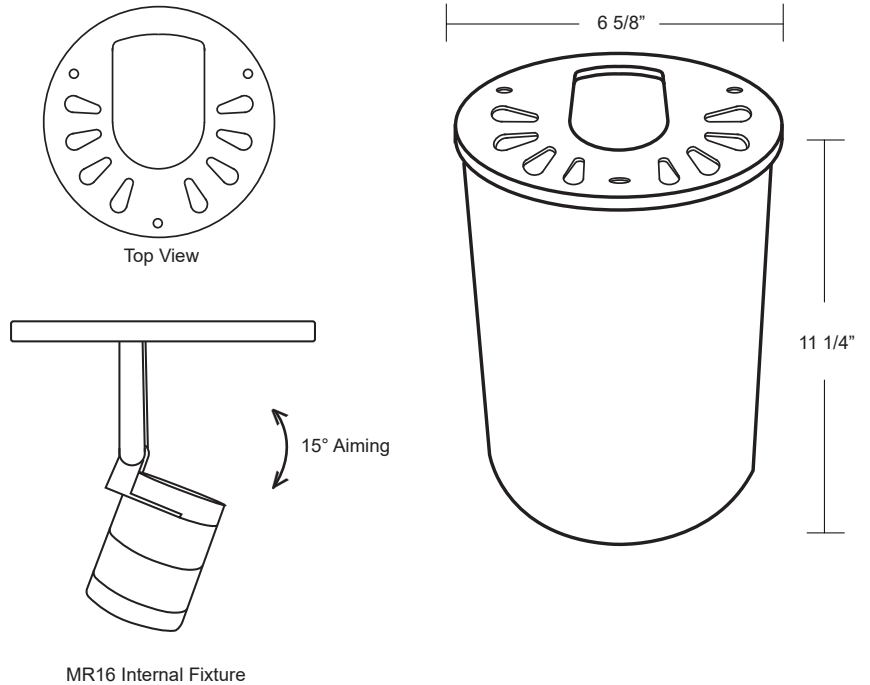


# IN-GROUND WELL LIGHT 12VAC/DC 9W LED MODULE MODEL IN-10L

Specification-grade well light, wet-location luminaire for uplighting applications.

- Cast aluminum frame and grate.
- Seven standard TGIC powder coat finishes and two bronze finishes.
- Adjustable LED Module: 2W, 4W, 6W, 9W. (12W startup draw )
- CRI = 85
- Available in 2700K, 3000K, 4000K.
- Remote magnetic transformer required.
- Not compatible with electronic transformers.
- IP 68 rated.
- 15 degrees of aiming adjustment.
- Machined aluminum lamp holder.
- ABS housing: 6" dia. x 10 1/2" OAL.
- Tempered glass lens.
- Holds 2 lens accessories.
- Suitable for drive-over installations.
- 6 feet of 16/2 low voltage cable supplied.
- Listed for wet location use..
- Warranty: 25 Years.



## Specifications:

MODEL: IN-10L  
 MATERIAL: Cast Aluminum  
 VOLTAGE: 12VAC/DC  
 WATTAGE: 2W, 4W, 6W, 9W  
 SOCKET: GY 6.35 Bi-pin porcelain socket rated 600V 250°C 18 ga, Teflon® coated leads.

LAMPING: 9W LED Module ( 12W startup draw )

Wattage	2700k	3000K	4000K
2W	165 lms	190 lms	210 lms
4W	345 lms.	360 lms.	385 lms
6W	515 lms.	530 lms.	590 lms
9W	720 lms.	800 lms.	860 lms

## Ordering Logic:

MODEL	METAL	FIXTURE REGRESS	FINISH	
IN - 10L	A - Aluminum	1 - 1 3/4" 2 - 3" (standard)	BK - Black BZ - Bronze WT - White BG - Beige NT - Natural	BKT - Black Texture BZT - Bronze Texture SL - Silver DB - Dark Bronze AC - Aged Copper

ORDERING EXAMPLE: IN - 10L - A - 1 - BK - 52\*

\*See Page 2 to select module type to be installed

Excelsior Lighting, Inc.

PROJECT

TYPE

9W MULTI-LEVEL - 2W, 4W, 6W, 9W (165-860 Lumens)



- Equivalent to MR16 20W/35W/50W/75W Halogen (equivalent CBCP)
- Four light levels, 2700K, 3000K, or 4000K
- 10.8-13.2V AC/DC
- 12W startup draw
- Interchangeable lenses: 15°, 30°, 45°, 60°
- Superior Light Output and thermal performance compared to LED Replacement Lamps
- Compatible with low-voltage magnetic transformers
- L70=60,000 hours
- 3 Year warranty
- FCC Compliant
- RoHS Compliant
- Pb Free
- Field Replaceable



#	Specifications	Lumens
50	2W - 9W, 2700K, 15°	165-720
51	2W - 9W, 2700K, 30°	165-720
52	2W - 9W, 2700K, 45°	165-720
60	2W - 9W, 2700K, 60°	165-720
53	2W - 9W, 3000K, 15°	190-800
54	2W - 9W, 3000K, 30°	190-800
55	2W - 9W, 3000K, 45°	190-800
61	2W - 9W, 3000K, 60°	190-800
62	2W - 9W, 4000K, 15°	210-860
63	2W - 9W, 4000K, 30°	210-860
64	2W - 9W, 4000K, 45°	210-860
65	2W - 9W, 4000K, 60°	210-860

Wattage	2700k	3000K	4000K
2W	165 lms	190 lms	210 lms
4W	345 lms.	360 lms.	385 lms
6W	515 lms.	530 lms.	590 lms
9W	720 lms.	800 lms.	860 lms

LENSES INCLUDED

15°



45°



30°



60°

