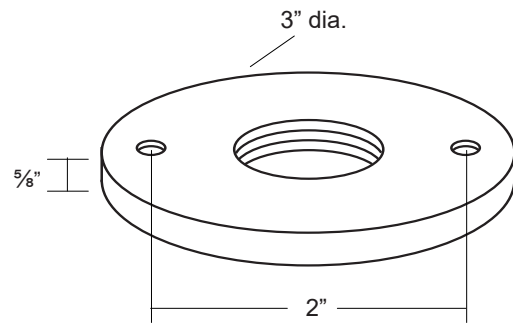


Surface mount canopy with threaded mount hole. Utilized for surface mount installations.

- Machined aluminum construction.
- Seven standard TGIC powder coat finishes and clear anodized finish available.
- Mounting hardware not supplied
- 1/2" NPS threaded canopy accepts industry standard luminaires.
- Two 3/16" screw mount holes.
- Warranty: 10 Years.



### Specifications

MODEL: MT-21  
 MATERIAL: Machined Aluminum  
 MOUNTING: 1/2" NPS mount threads

### Ordering Logic:

MODEL	METAL	FINISH	
MT - 21	A - Aluminum	BK - Black	BKT - Black Texture
		BZ - Bronze	BZT - Bronze Texture
		WT - White	SL - Silver
		BG - Beige	AC - Aged Copper

ORDERING EXAMPLE: MT - 21 - A - BK

Excelsior Lighting, Inc.

PROJECT

TYPE